



INTRODUCTION

This User Guide contains warnings and guidance for correct and safe operation of the product. These instructions must be followed at all times. TPL Vision will not be held responsible for problems caused by using the product contrary to these instructions and the Warranty will be deemed invalid.



UNPACKING

This product is packed at the factory using suitable materials for safe transport. To open the package, do not use any cutting blade to avoid damaging the product(s). Please use the delivered accessories if needed. (Do not use any other products or equivalents to replace the delivered accessories). In the event of damage occurring during shipping, it must be reported to the carrier at time of delivery (including noting the damage in writing on the delivery documents). It is also your responsibility to notify TPL Vision in writing of the damage within 24 hours of receipt of the package. If these instructions are not followed, TPL Vision reserves the right not to accept requests for return and exchange of damaged products.

RISK CLASS

The applicable Standard EN-62471 classifies LED Lighting into 4 groups (or classes) according to their degree of hazard severity. The table below summarises the risks associated with our various standard products.

Colour	Class	Risk
Red 625 nm, Cyan 505 nm, White WHI	0	none
IR 860 nm	1	low

TPL Vision can provide **guidance notes to minimise photo-biological risks**, including the nominal minimum operating distance. Please contact TPL Vision through your usual representative for this information.

TPL Vision recommends the use of the protection glasses that are listed in its catalog.



BEWARE: infrared light is **invisible** to the eye. Please refer to LED Indicators on the product to determine if it is operating.

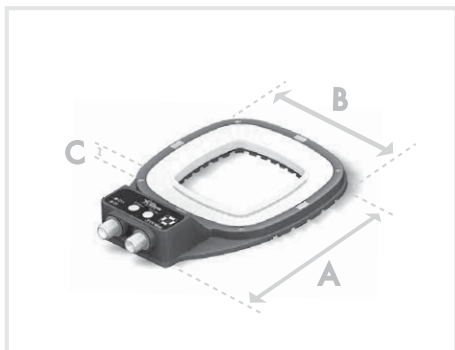




MODULAR RINGLIGHT TECHNICAL USER GUIDE

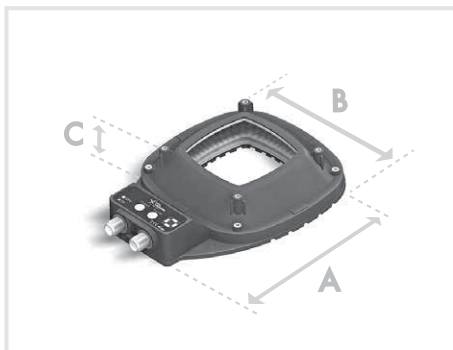
P2/12

■ DIMENSIONS

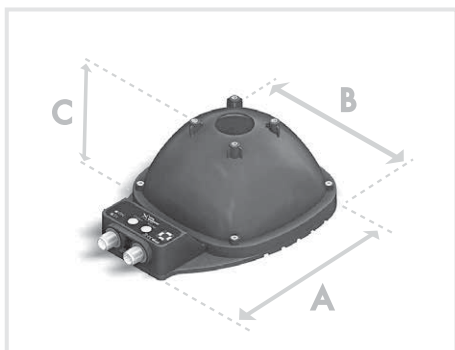


RING	Length (mm)	Width (mm)	Height (mm)
	A	B	C
Ring 80	193	136	11*
Ring 130	257	197	11*

* with connectors: 31 mm.



LOW ANGLE	Length (mm)	Width (mm)	Height (mm)
	A	B	C
Low Angle 80	193	136	34.75
Low Angle 130	257	197	45.25



DOME	Length (mm)	Width (mm)	Height (mm)
	A	B	C
Dome 80	193	136	75
Dome 130	257	197	106.75

■ FIXING

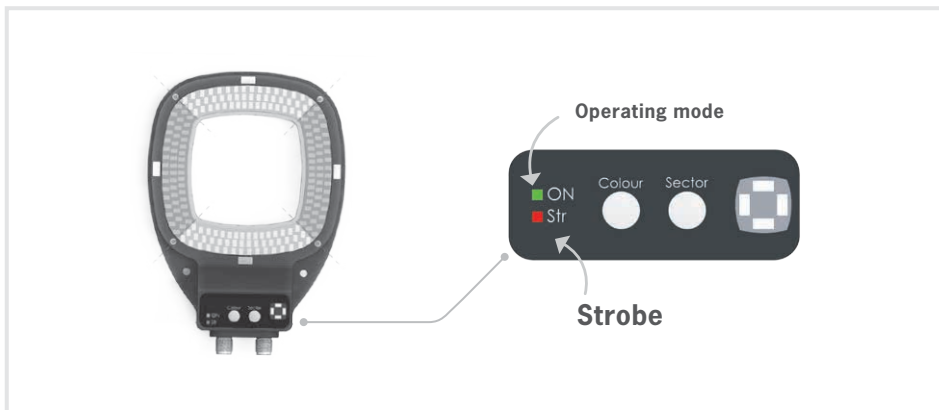
During the set up, the light has to be switched off and unplugged.

Please use the fixing holes designed for that purpose. We recommend the using of M5 screws (not supplied) with a tightening torque from 0.5 to 1.5 Nm.


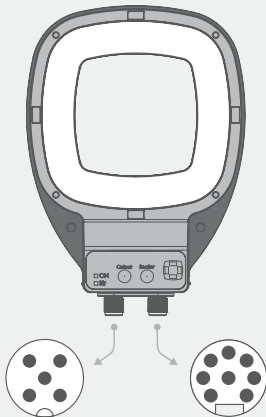

We also recommend the use of a threadlocker (not supplied) to avoid any risk of loosening.



LED INDICATORS



ELECTRICAL CONNECTION

M12 – 5 MALE PINS		M12 – 8 MALE PINS
 <ul style="list-style-type: none"> ■ POWER SUPPLY ■ STROBE ■ DIMMING 		 <ul style="list-style-type: none"> ■ SECTOR CONTROL ■ COLOR CONTROL ■ OVERDRIVE ENABLING ■ LOCK KEYPAD



MODULAR RINGLIGHT TECHNICAL USER GUIDE

CONNECTION: M12 8 MALE PINS CONNECTOR

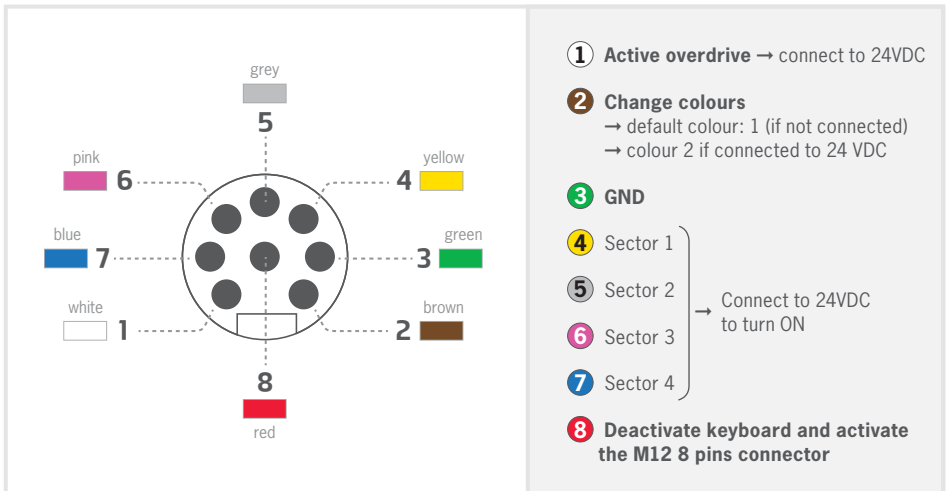
SECTOR CONTROL

COLOR CONTROL

OVERDRIVE ENABLING

LOCK KEYPAD

REMOTE CONTROL (CONNECTION)



REMOTE CONTROL PINOUT THROUGH PNP: 0-4V is OFF and 5-24V is ON.

SECTORS



MINIMUM WIRING



ALL SECTORS + OVERDRIVE



ALL SECTORS CW + KEYBOARD DEACTIVATED



SECTOR CONTROL VIA M12 - 8 PINS



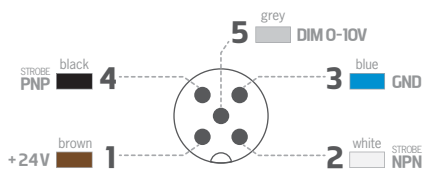
CONNECTION: M12 5 MALE PINS CONNECTOR

POWER SUPPLY

STROBE

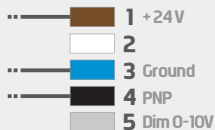
DIMMING

M12 Connector 5 male pins

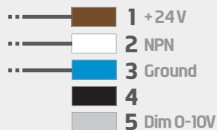


The **M12 male connector 5 points** is **COMPLIANT** with the M12 female connector 4 points. In that case, the dimming option is not available.

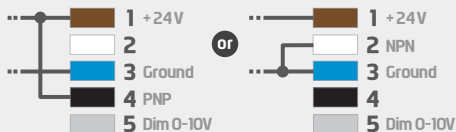
STROBE PNP :



STROBE NPN :



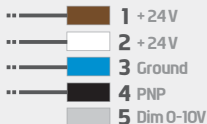
CONTINUOUS MODE :



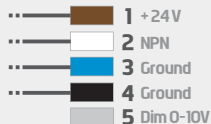
EMC IMMUNITY CONNECTIONS: for greater EMC immunity when using the light under Strobe operation, configure the signal connections as illustrated here. For Dimming, the Pin (5) should be connected to a voltage between 0V and 10V to ensure light output is correctly configured.



STROBE PNP :



STROBE NPN :



STROBE MODE

STROBE TRIGGERING MODE - PNP AND NPN

PNP : from 5 to 24V for 100% ON. From 0 to 4V for 100% OFF.

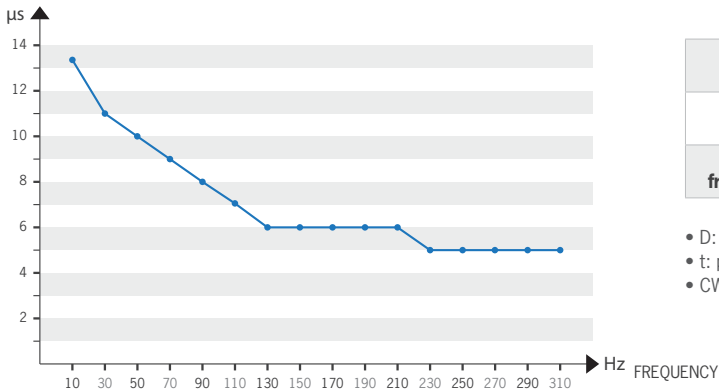
NPN : less than 2V for 100% ON. Above 2.2V for 100% OFF. Max 24V.



STROBE TIMING LIMITS

• Standard version:

MINIMUM PULSE DURATION

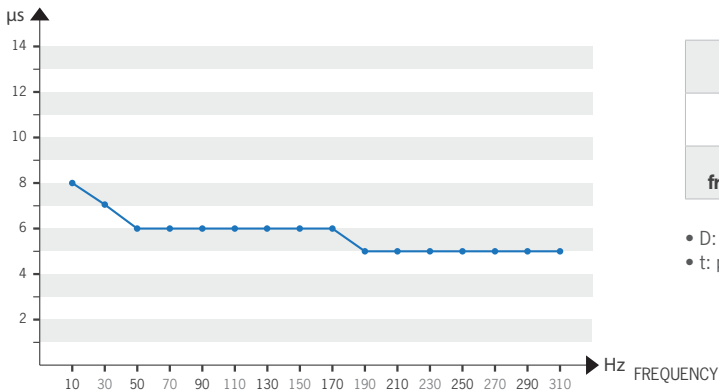


D max	100 %
t max	CW
max frequency	50 000 Hz

- D: duty cycle
- t: pulse duration
- CW: continuous working

• Overdrive version:

MINIMUM PULSE DURATION



D max	10 %
t max	2 ms
max frequency	310 Hz

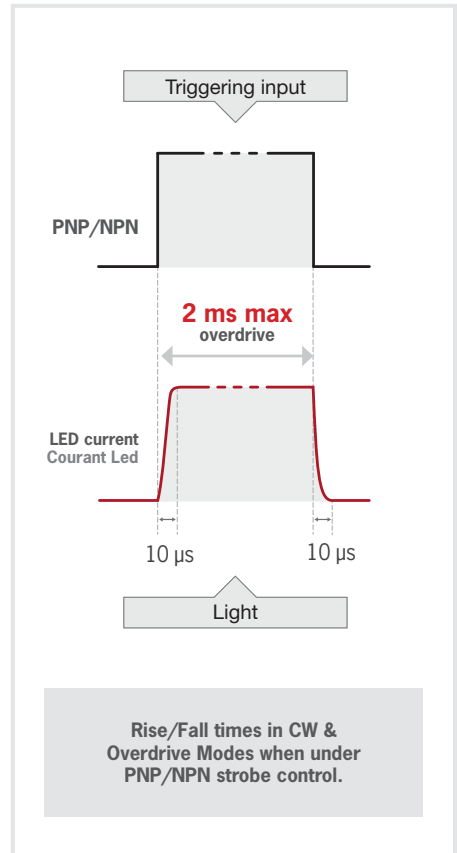
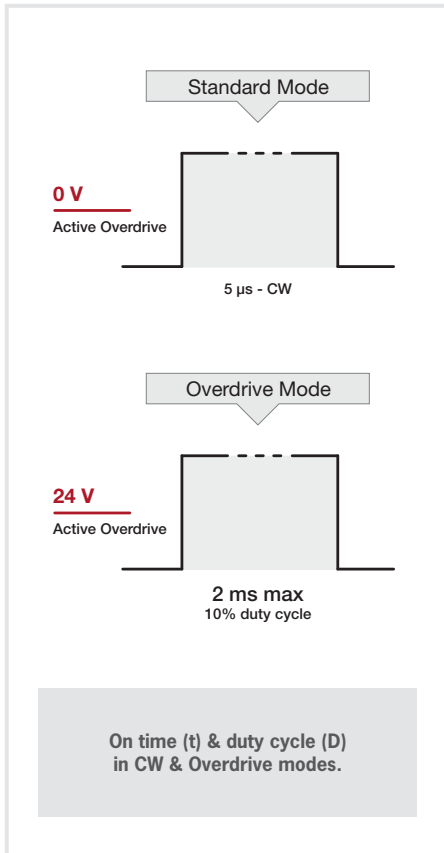
- D: duty cycle
- t: pulse duration



Don't exceed 310 Hz when strobing PNP/NPN in overdrive mode.



STROBING THE LIGHT VIA PNP OR NPN BEHAVIOUR



PROTECTION IN OVERDRIVE MODE

If a trigger signal of more than 2ms is applied, the LED will only remain on for a maximum of 2ms.

Duty cycle protection: you can set a 10% duty cycle max.

If this is exceeded, internal protection circuitry will activate.

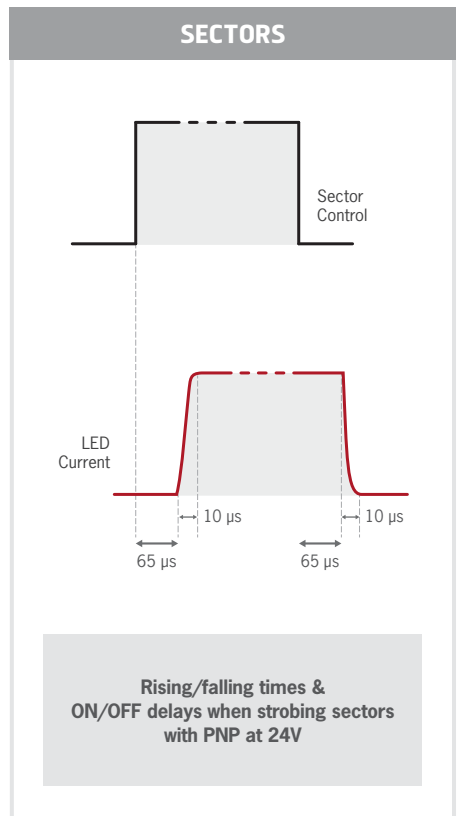
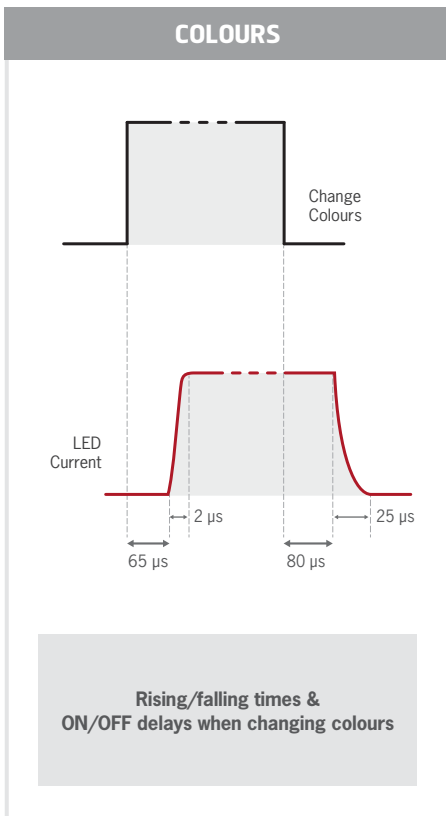


■ STROBING THE LIGHT VIA COLOUR & SECTOR INPUT BEHAVIOUR

To control the LED Colour and illuminated Sector, the PNP or NPN trigger signal should be enabled in addition to the Sector or Colour control signal(s). Timing diagrams below illustrate rise, fall and delay times.

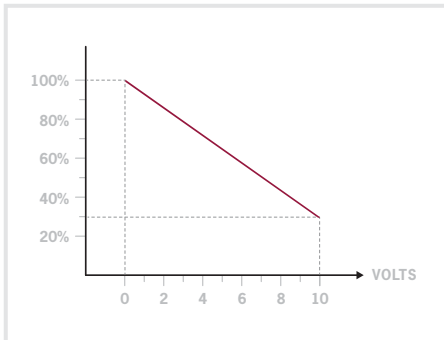
If PNP and sectors are connected to 24V and if you strobe colours, there can be some delays between the trigger signal and the LED current.

If PNP is connected to 24V and you strobe sectors, there can be some delays between the trigger signal and the LED current. In this configuration, you have protection for maximum 2ms.





DIMMING CONTROL



Dimming between 0 & 10 V.

With 0V applied to the Dimming pin, the product is at 100% of its lighting power. With 10V applied, it is reduced to 30% of lighting power.

POWER SUPPLY

Operational Voltage	24 V at the light input ($\pm 10\%$)
Absolute Maximum Voltage	30 V at the light input
Max. current consumption - strobe signal line	5 mA
Max. current consumption - remote control lines	5 mA
Max. current consumption - dimming control line	2 mA

OPERATING CONDITIONS

-10° to +40°C (14° to +104°F) / 80% of humidity without condensation. Not for outdoor use.
No thermal shock (maximum temperature variation: 10°C (18°F) in 24h).



MODULAR RINGLIGHT TECHNICAL USER GUIDE

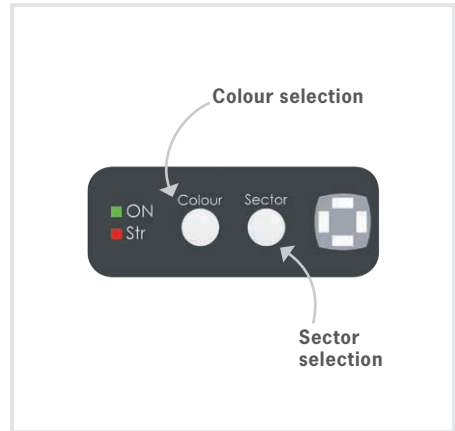
P10/12

KEYPAD CONTROL

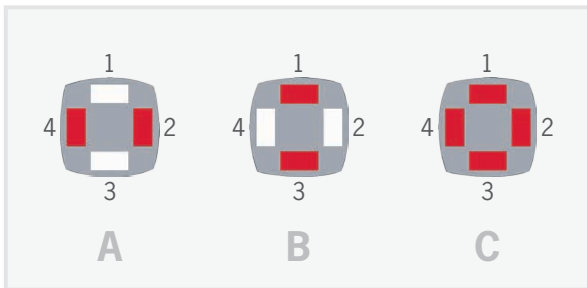
The Modular Ringlight works in manual control and continuous working (CW) mode by default. To use the remote control, you need to connect the 8 pin cable and apply PNP signals to the relevant pins. The Modular Ringlight has Teach and Run mode.

Colour and Sector Selection

- Program settings: push the 2 buttons together for 3 - 4 seconds,
- Change settings: 1 push of Colour and / or Sector button(s) until desired configuration is selected,
- Save settings: push the 2 buttons together for 3 - 4 seconds.



SECTOR CONFIGURATIONS



EQUIPMENT MAINTENANCE

CLEANING (when the product is switched off)

Please use a soft and dry cloth. Do not use any abrasive material. Do not use any cleaning solvent or aggressive chemical product. TPL Vision recommends to use isopropyl alcohol.



■ USER SAFETY



Do not modify or dismantle all or part of the product.

Respect the power supply voltages and the connection terminals.

Ensure power supply is switched off whilst connecting product and turn on only once product is fully connected. Failure to do this may damage the product and invalidate the Warranty

Do not stare at the lighting source directly.

Follow advice below for installation to minimise operator exposure to the light source.

INSTALLATION GUIDANCE:

- Forbid or limit the direct access to the lighting source (exposure into the radiation axis).
- Establish a security perimeter to prevent the operators from approaching the lighting source beyond the recommendations of the manufacturer.
- If the workstation permits it, introduce a filter that will stop the lighting radiation under a fixed or adjustable frame between the source and the operator. When these measures cannot be implemented, supply the operators with glasses (class 4) available from TPL Vision.

It is the responsibility of the persons installing this product to ensure that all means possible (such as those stated above) have been implemented to reduce exposure of the machine operators to the light emitted from this product.

■ BINNING INFORMATION



TPL Vision is extremely careful about BIN sorting in the selection of LEDs for their products.

Specifically for the Cyan series on this product, the human eye is very sensitive to colour variations. It may appear to the customer that they do not appear the same between two cyan LED products. Despite any noticeable differences, the peak wavelength variation does not exceed 10nm.

■ WARRANTY INFORMATION

Further information on the applicable Warranty can be found on the TPL Vision website:

<https://www.tpl-vision.com/warranty/>



MODULAR RINGLIGHT TECHNICAL USER GUIDE

P12/12

ACCESSORIES : CABLES (OPTIONAL)

M12 8 pins

Remote control



3 m	Ref: C-M12-8P-3M
5 m	Ref: C-M12-8P-5M
10 m	Ref: C-M12-8P-10M

M12 5 pins

Power supply



2 m	Ref: C-M12-5P-2M
5 m	Ref: C-M12-5P-5M
10 m	Ref: C-M12-5P-10M

BANDPASS FILTERS

Here are the following band-pass camera filters we recommend to fit with the Modular Ringlight:

- White LEDs: no filter
- Red LEDs: BP 635
- Infrared LEDs: LP 830
- Cyan LEDs: BP 505

Further information on the **TPL Vision website**.

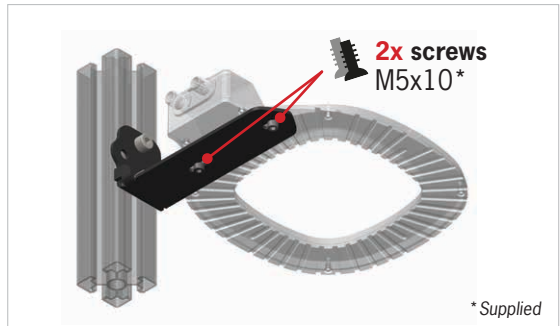
Ref.UG-030301-C2, 2022/12 edition.

MOUNTING ACCESSORY (OPTIONAL)

for MR 80 & MR 130



Ref: TPL-MOUNT-MR



Features and presentations liable to changes without notice.



Brenchley House, School Road
Charing, Kent TN27 0JW
United Kingdom

TPL VISION
IS AN **ISO 9001**
CERTIFIED MANUFACTURER

+44 (0)1738 310 392

contact@tpl-vision.co.uk

www.tpl-vision.com