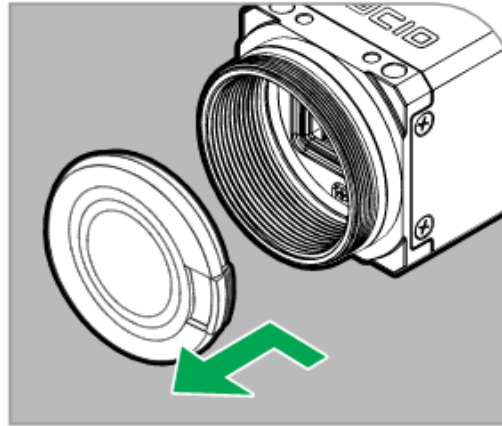
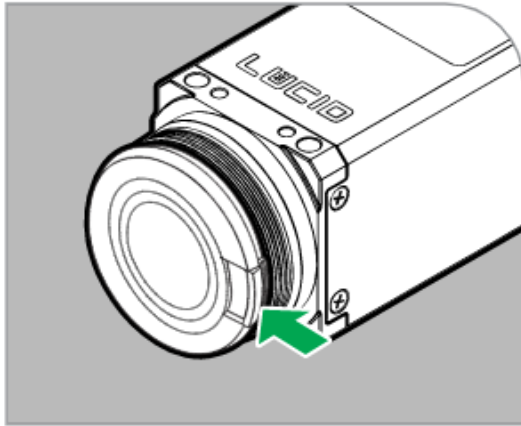


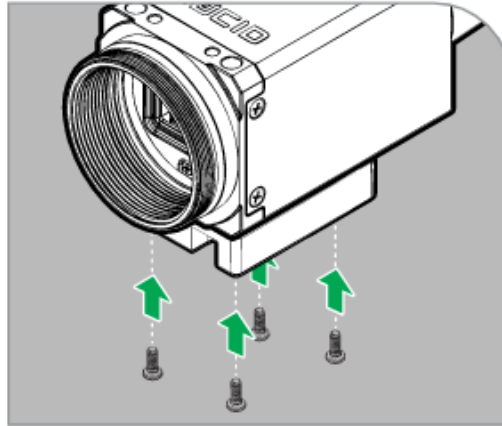
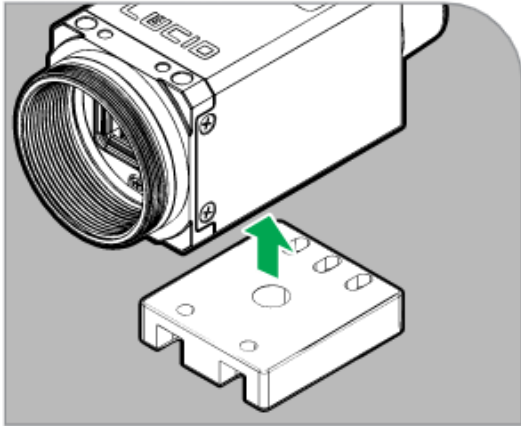
1



Remove Dust Cap

Press the dust cap button to release the cap from the camera.

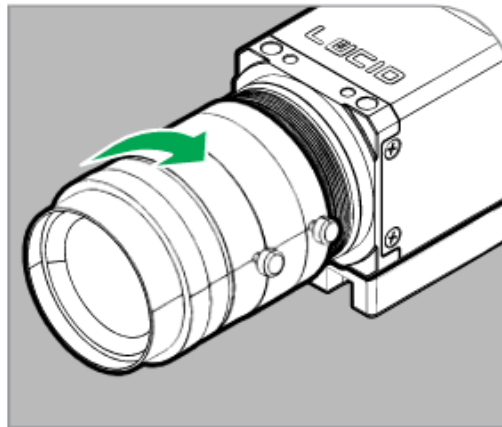
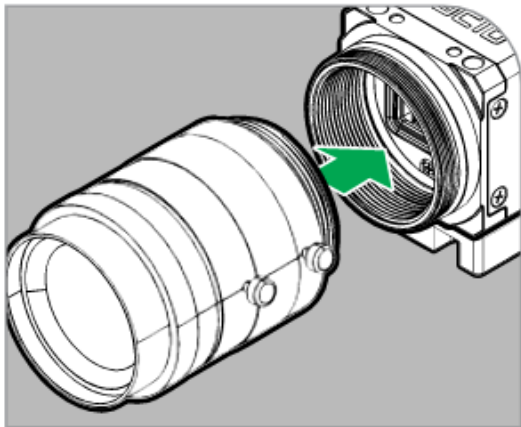
2



Attach Tripod Adapter

Use four M2 screws to attach the tripod adapter to the camera.

3

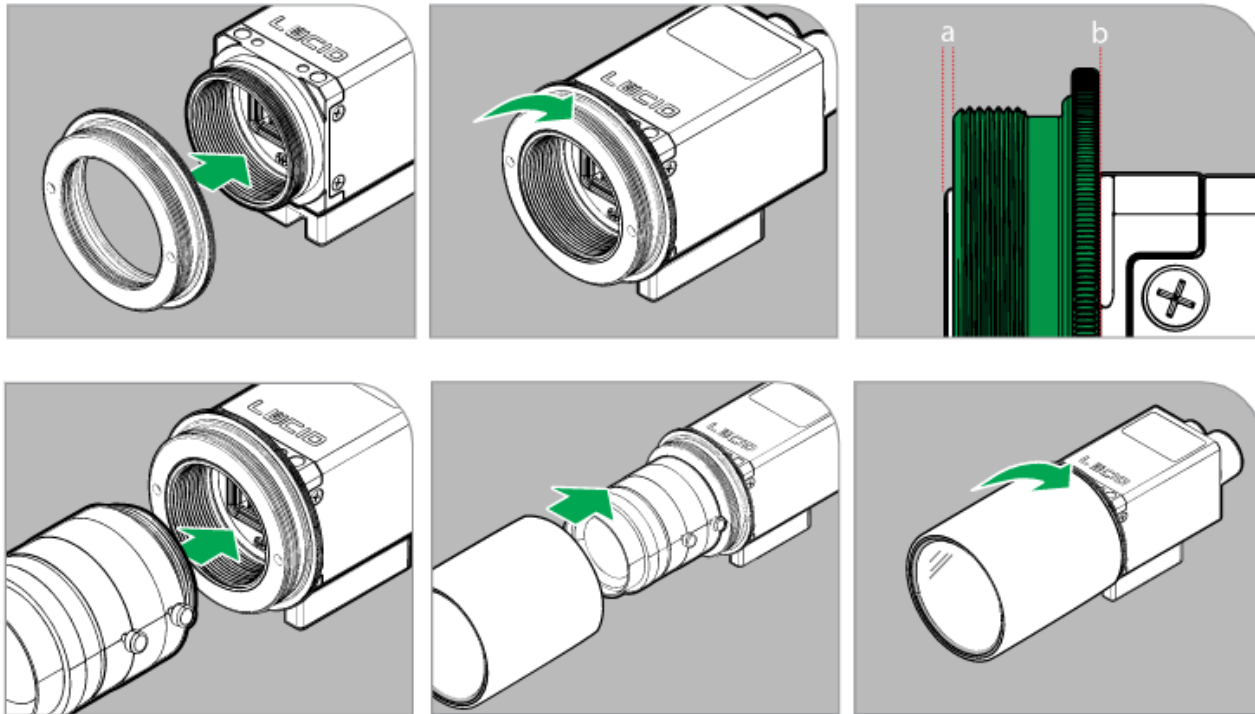


Attach a Lens

Screw in an appropriate lens into the camera's lens mount.

3b

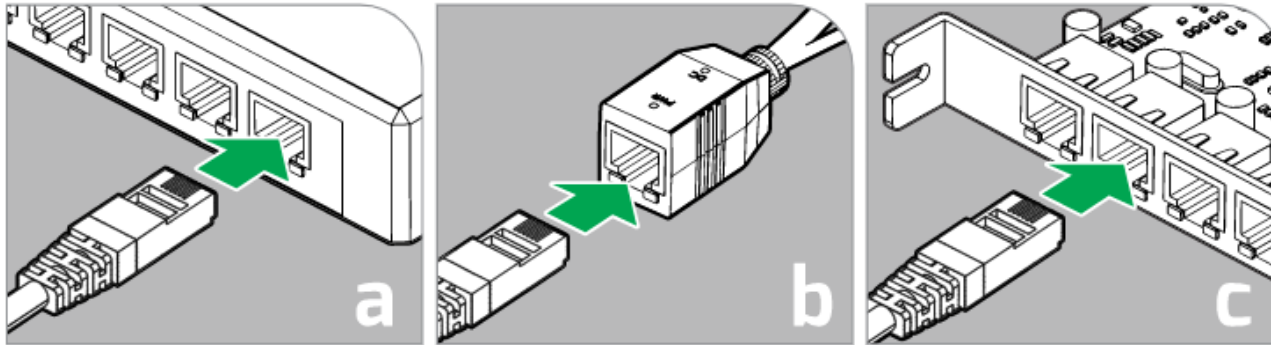
OPTIONAL: Attach an IP67 Lens Tube



Step 1: Screw on the lens tube ring that comes with the LUCID lens tube accessory. Turn the ring until there is contact with the front base of the camera (b). The C-mount should also extend passed the ring by a small amount, approx. 0.3mm (a).

Step 2: Screw on the lens and then screw on the lens tube. Make sure that there is no gap between the back of the lens tube and the back flap of the ring.

4

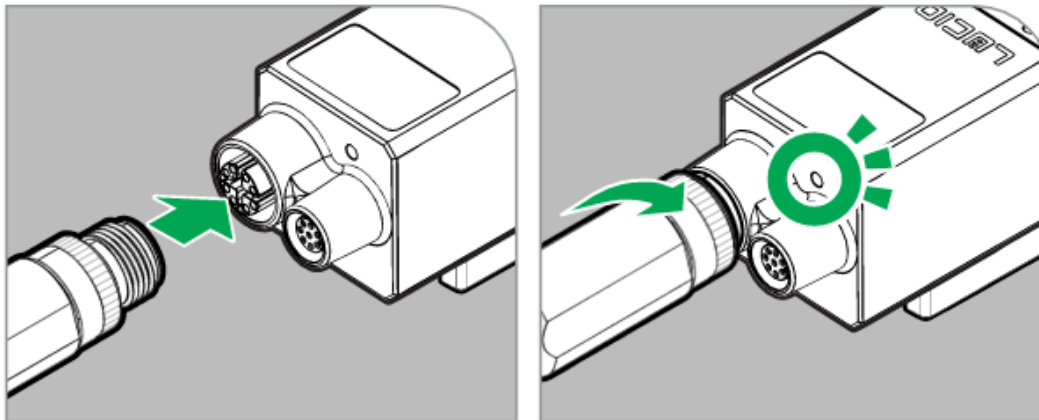


Connect Cable to Network or PC

Connect a Cat 5e/6/6a cable to (a) PoE switch, (b) PoE injector or (c) PoE network interface card.

Note: You must use at least a Cat 5e cable to utilize GigE bandwidth.

5



Connect Cable to Camera

Connect a M12 X-Coded Cat 5e/6/6a cable to the camera. The camera will briefly blink red upon power-up and then start blinking green once it is ready to stream.